



RADIALL®
COAXIAL CONNECTORS

TECHNICAL DATA

R209.081.000

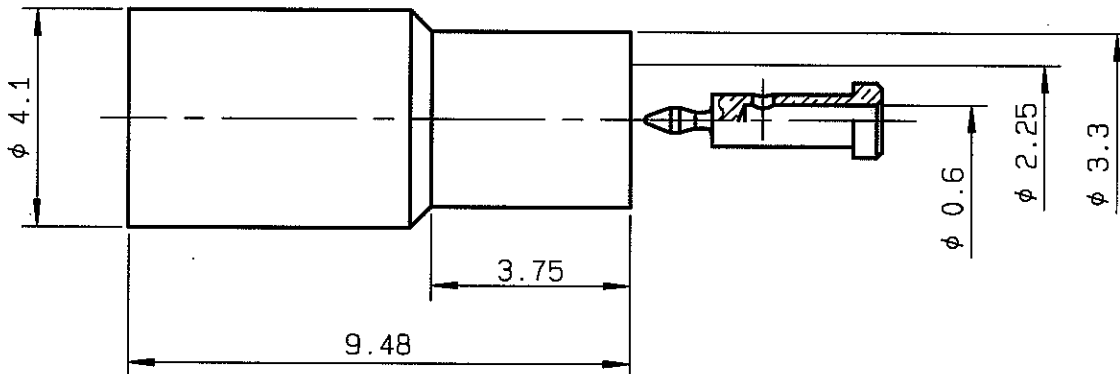
Issue : 9913

Page

STRAIGHT PLUG CRIMP TYPE
CABLE 2/50 D-BR

Series : MMS

1 / 1



CABLES : -

CHARACTERISTICS

NOMINAL IMPEDANCE	50 Ω
FREQUENCY RANGE	0-6 GHz
TEMPERATURE RATING	-40/+125 °C
VSWR	1.2 at 2 GHz
RF INSERTION LOSS	.2 \sqrt{F} (GHz) dB Maxi
VOLTAGE RATING	50 Vrms Max
DIELECTRIC WITHSTANDING VOLTAGE	150 Vrms min
INSULATION RESISTANCE	500 M Ω min
HERMETIC SEAL	- oc/s NA Atm.cm3/s
LEAKAGE (pressurized only)	- psi NA MPa
WEIGHT	0 Oz g

STANDARDISATION

CABLE RETENTION	4.49 lb min 20 N
CENTER CONTACT RETENTION	
Axial force - mating end	0 lb min NA N
Axial force - opposite end	0 lb min NA N
Torque (Min)	0 Inch.oz NA cm.N
RECOMMENDED TORQUES	
Mating	0 Inch.lb NA cm.N
Panel nut	0 Inch.lb NA cm.N
Clamp nut	0 Inch.lb NA cm.N

CONSTRUCTION

CONNECTOR PARTS	MATERIALS	FINISH
BODY	BRASS	NICKEL
OUTER CONTACT	BRASS	NICKEL
CENTER CONTACT	BRASS	NICKEL
INSULATOR	PTFE	-
-	-	-
-	-	-
-	-	-
-	-	-
-	-	-

ISSUE	REVISION No	DESCRIPTION	BY	DATE
-	-	-	-	-
9913	99-02-019	-40/+90 -> -40/+125	TRIPPIER	30-03-99
9604	96-01-023	DIA 2.1-->2.25	GONZALES	23-01-96

Initiated on	14/03/94	The information given here is subject to change without notice. Design changes may be in order to improve the product.	
Approval by	MEYNIER		

MARTIN

EPC94-08